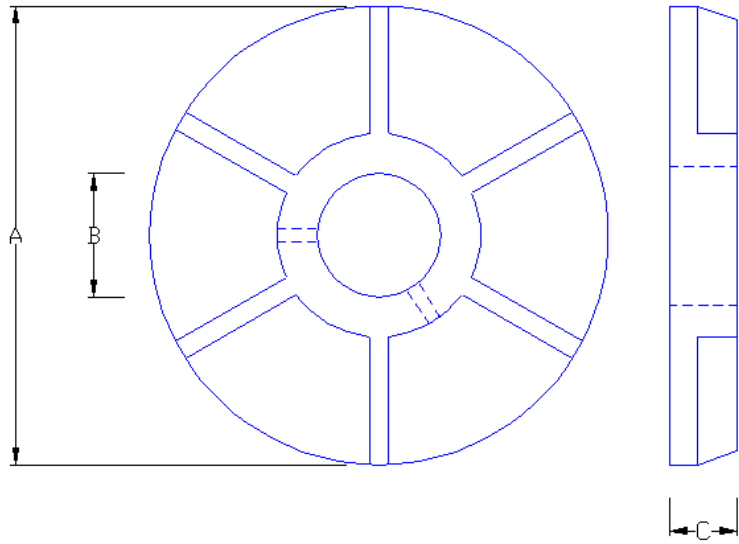
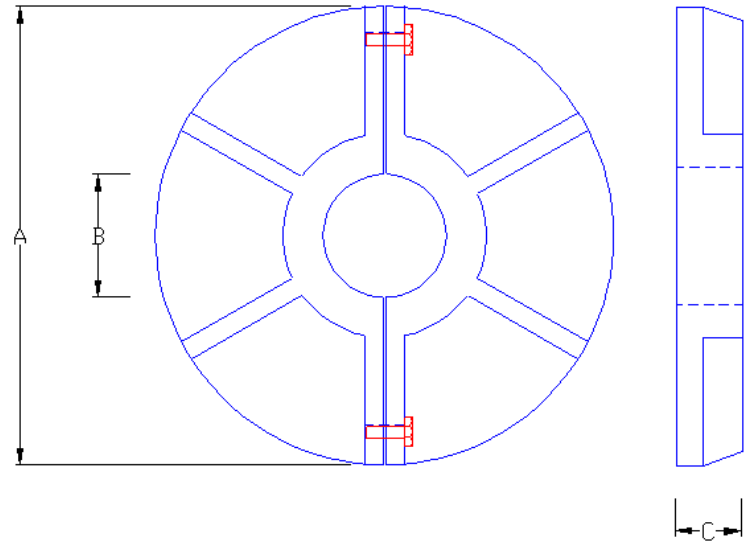


CDM Cooling Spinners Range

Standard:



Split:



Standard Sizes;

Product	A (Outside Diameter)	B (Maximum Bore Size)	C (Maximum Width)
MCD 3	3 ½"	38	22
MCD 4	4"	50	28
MCD 6	5 ¾"	50	30
MCD 7	7"	70	30
MCD 9	9"	70	30

Split Sizes

Product	A (Outside Diameter)	B (Maximum Bore Size)	C (Maximum Width)
MCD 4	4 ½"	40	25
MCD 6	5 ¾"	50	30
MCD 9	8 ¼"	90	30
MCD 12	11 7/8 "	140	30