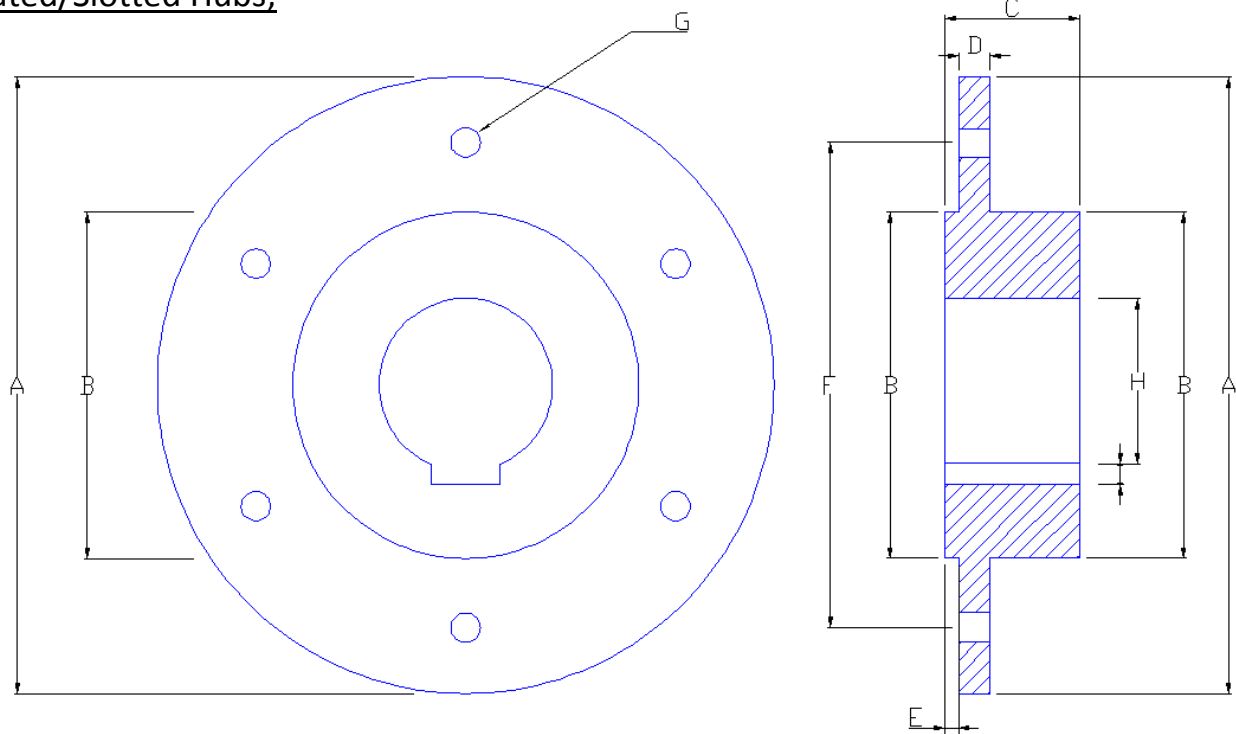


Fabricated/Slotted Hubs;



Standard Size Plain Bore Hubs;

Product Ref:	A	B	C	D	E	F	G	Max Bore
A1	100	60	30	7	3	80	6.8	30
A2	150	76.2 (3")	38	8	3	120	8.5	45
A3	178	100	42	9	3	140	8.5	60
A4	225	120	60	10	3	185	10.2	80
A5	280	140	100	15	3	245	10.2	90
MY8S	100	60	33	7	3	80	6.8	30
MY8M	100	60	42	7	3	80	6.8	30
MY8L	100	60	52	7	3	80	6.8	30